



Process Equipment
Division

[Back to INDEX](#)

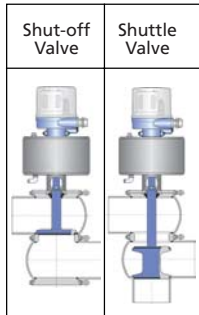
Tuchenhagen

Order Key for ECOVENT® Valves

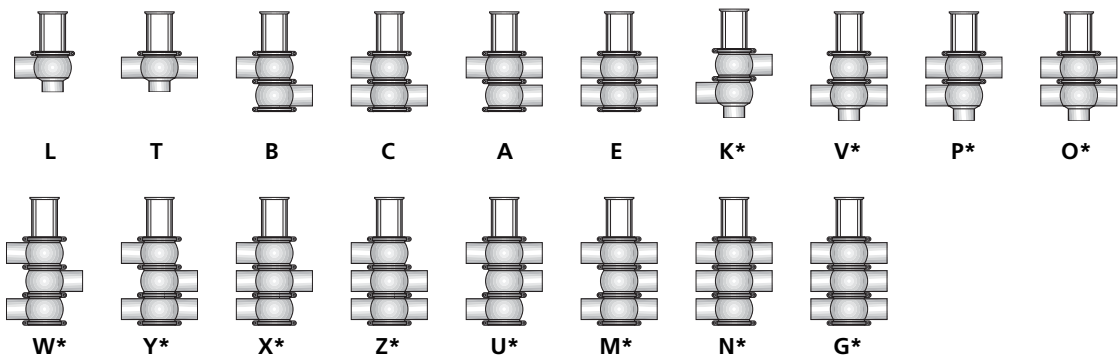


1 = Basic Valve Type
Type N_E W_E

[Back to INDEX](#)



2 = Housing combination



* available for valve type W only

3 = Special valve options

E ECOVENT®

4 = Valve size top/middle

OD 1", 1 1/2", 2", 2 1/2", 3", 4"; DN 10, 15, 25, 40, 50, 65, 80, 100

5 = Valve size bottom

OD 1", 1 1/2", 2", 2 1/2", 3", 4"; DN 10, 15, 25, 40, 50, 65, 80, 100

6 = Type of actuator

E ECOVENT®, Air / Spring

7 = Fail position of valve

Z closed
A open

8 = Location of feedback

E Control module ECOVENT®
T Control module T.VIS®
M Support for prox. M12x1, stainless steel
0 without

Example

N	L	E
1	2	3

9 = Control module base

- N no solenoid valve (not available for T.VIS®)
- P 1 solenoid valve
- V 1 solenoid valve and 1 x NOT-element (T.VIS®)
- 0 without

10 = Feedback switches

- 0 no feedback
- 1 1 feedback
- 2 2 feedbacks
- 8 T.VIS®

11 = Interface module

- A ASI-Bus
- B 24 V DC, 3-wire, PNP
- C 20-250 V AC
- D DeviceNet
- E EEx / NAMUR
- F 24 V DC 2-wire (L+)
- G 24 V DC 2-wire (L-)
- 0 without

12 = Solenoid valve

- A 24 V DC 1,2W
- B 110 V AC 3,0W
- C 24 V AC 3,3W
- E 12 V DC 0,7W EEx
- F 12 V DC 1,0W (T.VIS®)
- 0 no solenoid valve

13 = Connection (Cable/Air)

for air tubing Ø 6/4 mm

- M M20/16x1,5
- A Connection box with cable M20x1,5 (ASI-Bus)
- L 4-pin Connector M12/M20x1,5 (ASI-Bus)
- F Vampire clip M20x1,5 (ASI-Bus)
- D 5-Pin. Connector M12/M20x1,5 (DeviceNet)
- E EEx/M20x1,5 (Namur)
- 0 without

Connection (Cable/Air)

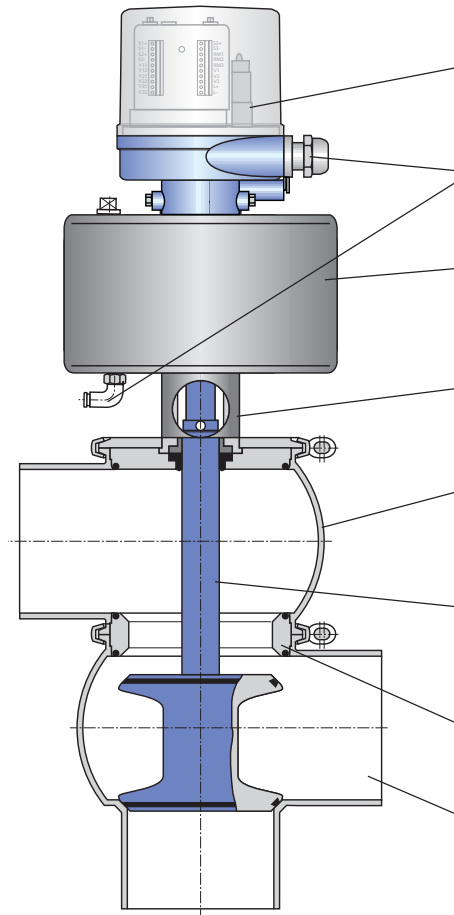
for air tubing 1/4" OD (6,35/4,35 mm)

- Z 0,5" NPT (Standard-US)
- S Connection box with cable M20x1,5 (ASI-Bus/US)
- U 4-pin Connector M12/M20x1,5 (ASI-Bus/US)
- V Vampire clip M20x1,5 (ASI-Bus/US)
- K 5-Pin. Connector M12/M20x1,5 (DeviceNet/US)
- N EEx/M20x1,5 (Namur/US)
- B Brad Harrison 0,5" BSP, 5-pin (US)
- C Brad Harrison 0,5" BSP, 4-pin (US)

14 = Actuator

- According to table in Tuchenhagen catalogue, register 2

**Shuttle Valve
Typ W_E**

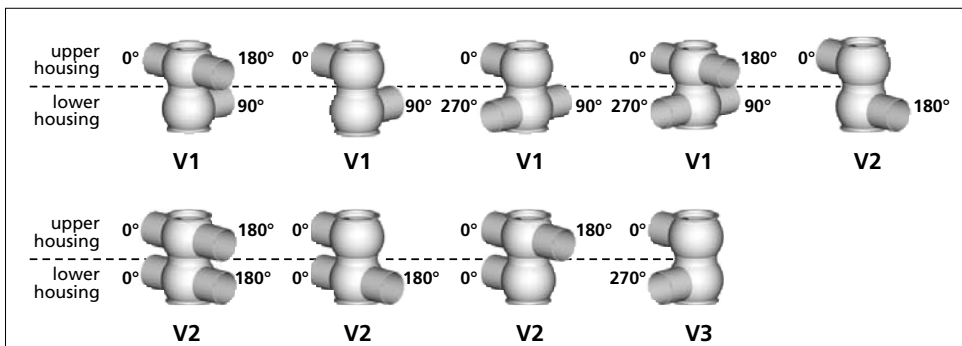


-	OD 3"	/	OD 3"	-	E	Z	-	E	P	2	B	A	M	-	100 / 5	-	V0	-	1	1	N	/	52
	4		5		6	7		8	9	10	11	12	13		14		15		16	17	18		19

15 = Valve seat option

- L0 clamped seat ring
- V0 welded vertical socket (Valve type NLE, NTE, WKE, WVE, WPE, WOE)
- V1* welded seat ring, port orientation 90°
- V2* welded seat ring, port orientation 180°
- V3* welded seat ring, port orientation 270°
- *available for valve type NBE, NCE, NEE

Port orientation



16 = Gasket material

- | | |
|--------------|--------------------|
| 1 EPDM (FDA) | 3 HNBR (FDA) |
| 2 FPM (FDA) | 4 FFPM, on request |

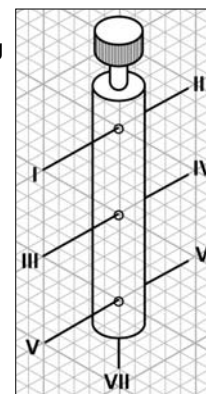
17 = Surface finish

- 1 inside Ra 1,2 µm (# 3 polished ID, 45-50 RA, 100 Grit), outside matt
- 2 inside Ra 0,8 µm (polished ID, 30-35 RA, 150 Grit), outside matt
- 3 inside Ra 0,8 µm (polished ID, 30-35 RA, 150 Grit), outside smooth (3A Standard)
- 4 inside Ra 0,4 µm (# 6 polished ID, 15-20 RA, 240 Grit), outside matt
- 5 inside Ra 0,8 µm (polished ID, 30-35 RA, 150 Grit), Valve completely smooth (with 3A symbol)
- 6 inside Ra 0,5 µm (# 4 polished ID, 20-25 RA, 180 Grit), outside matt
- 7 inside Ra 0,5 µm (# 4 polished ID, 20-25 RA, 180 Grit), outside smooth
- 8 inside Ra 0,4 µm (# 6 polished ID, 15-20 RA, 240 Grit), outside smooth
- 9 inside Ra 1,2 µm (# 3 polished ID, 45-50 RA, 100 Grit), Valve completely smooth
- X on request

18 = Housing process connection

- N weld ends (Standard)
- J with connection fittings (Specify process connections separately)

- TK VARIVENT®-flange connection cpl., grooved flange at the housing
- TN VARIVENT®-grooved flange cpl., incl. O-ring, screws and nuts
- TF VARIVENT®-flange
- CO Tri-Clamp
- GK Pipe union DIN 11851, male part at the housing
- KO Liner SD DIN 11851, incl. groove nut
- GO Male part DIN 11851, incl. seal ring G
- ASK Aseptic-flange connection cpl., short
- NFK Aseptic-grooved flange, short
- BFK Aseptic-counter flange, short
- ASN Aseptic-flange connection cpl., normal
- NFN Aseptic-grooved flange, normal
- BFN Aseptic-counter flange, normal



For multiple process connections the connection ports should be specified

19 = Other special optional equipment

- (Expand this field with "/" as necessary to include all required options)
- 25 Jacketed housing
 - 41 Factory certificate acc. to EN10204-2.2
 - 42 Material acceptance test certificate acc. to EN10204-3.1B
 - 43 UV resistant coating for control module
 - 50 Stainless steel ID tag
 - 52 Self adhesive ID tag
 - 55 Cable strip (10 characters)
 - 3A 3A stamp

control module

connection (cable/air)

actuator

lantern

upper housing

valve disk

valve seat

upper housing

[Back to INDEX](#)



A company of mg technologies group

Tuchenhagen GmbH · Am Industriepark 2-10 · D-21514 Büchen

Tel.: +49-41 55/49 24 02 · Fax: +49-41 55/49 24 28 · fc-sales@tuchenhagen.de · www.tuchenhagen.com