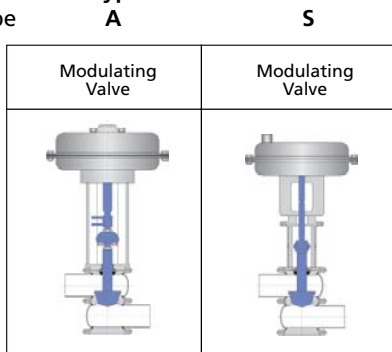


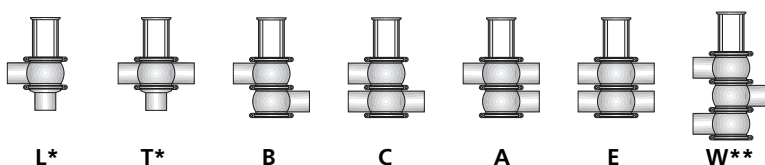
# Order Key for VARIVENT® Modulating Valves



**1 = Basic Valve Type**  
Type



**2 = Housing combination**



\* not available for valve type AL, AT in size DN 125 and 6" IPS, \*\* available for type A only

**3 = Special valve options**

- F Control cone equal percentage
- J Control cone linear
- W Shuttle valve Type W  
(Only available for valve type AW with linear cone and metal to metal seal)
- X Shuttle valve Type X  
(Only available for valve type AW with linear cone and metal to metal seal)
- K 3-stage seat  
(Only available for valve type AB, AC, AA, AE with linear cone and metal to metal seal)

**4 = Valve size top/middle**

OD 1", 1 1/2", 2", 2 1/2", 3", 4"; DN 25, 40, 50, 65, 80, 100, 125; IPS 2", 3", 4", 6"

**5 = Valve size bottom**

OD 1", 1 1/2", 2", 2 1/2", 3", 4"; DN 25, 40, 50, 65, 80, 100, 125; IPS 2", 3", 4", 6"

**6 = Fail position of valve**

- Z closed
- A open

**7 = Feedback switches**

- 0 no feedback
- 1 1 feedback (Valve type S with positioner 3760)
- 2 2 feedbacks

**8 = Type of feedback**

- 0 without
- B 24 V DC 3-wire PNP (Valve type A with positioner 824)
- F 24 V DC 2-wire
- M Binary-module (Valve type A with positioner 827A)
- S Slot-Prox.-Module (Valve type A with positioner 827A)

Example

A	E	F
1	2	3

**9 = Actuator**

- MFI-20 (Valve type A)
- MFI-30 (Valve type A)
- MFIII-30 (Valve type A)
- MFIII-60 (Valve type A)
- 240 (Valve type S)
- 350 (Valve type S)
- 700 (Valve type S)

**10 = Number of springs**

- 3 (only for valve type A)
- 6 (only for valve type A)
- 12 (only for actuator type MFIII-60)
- 0 Fixed number of springs (only for type S)

**11 = Positioner**

- 1 824 pneumatic (Valve type A)
- 2 824 electropneumatic (Valve type A)
- 3 824 electropneumatic with Ex-proof, intrinsically (Valve type A)
- 4 824 electropneumatic with Ex-proof, pressure resistant (Valve type A)
- 5 827A electropneumatic (Valve type A)
- 6 827A electropneumatic Profibus PA (Valve type A)
- 7 827A electropneumatic Eex (Valve type A)
- 8 3766 pneumatic (Valve type S)
- 9 3767 electropneumatic (Valve type S)
- 10 3760 pneumatic (mechanical to DN50, Valve type S)
- 11 3760 electropneumatic (mechanical to DN50, Valve type S)
- 12 3780 electropneumatic (Valve type S)
- 13 3785 Profibus (Valve type S)
- 14 3730 electropneumatic (Valve type S)

**12 = Type of valve disk seal**

- M** metal to metal, without V-ring
- W** soft seal (with V-ring)

**13 = KVS value**

According to table in Tuchenhagen Catalogue, register 3  
(Enter KVS value into Field 13)

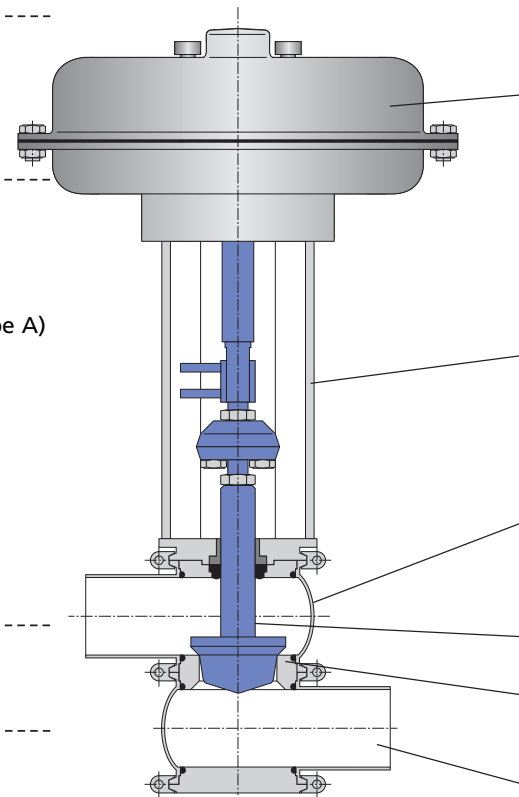
**14 = Gasket material**

- 1** EPDM (FDA)
- 2** FPM (FDA)
- 3** HNBR (FDA)
- 4** FPPM, on request

**15 = Surface finish**

- 1** inside Ra 1,2 µm (# 3 polished ID, 45-50 RA, 100 Grit), outside matt
- 2** inside Ra 0,8 µm (polished ID, 30-35 RA, 150 Grit), outside matt
- 3** inside Ra 0,8 µm (polished ID, 30-35 RA, 150 Grit), outside smooth (3A Standard)
- 4** inside Ra 0,4 µm (# 6 polished ID, 15-20 RA, 240 Grit), outside matt
- 6** inside Ra 0,5 µm (# 4 polished ID, 20-25 RA, 180 Grit), outside matt
- 7** inside Ra 0,5 µm (# 4 polished ID, 20-25 RA, 180 Grit), outside smooth
- 8** inside Ra 0,4 µm (# 6 polished ID, 15-20 RA, 240 Grit), outside smooth
- X** on request

**Modulating Valve Type A**



-	OD2"	/	OD2"	-	Z	-	2	B	-	MFI-30	/	3	/	2	-	M	/	18	-	1	1	N	/	52
	4		5		6		7	8		9		10		11		12		13		14	15	16		17

## 16 = Housing process connection

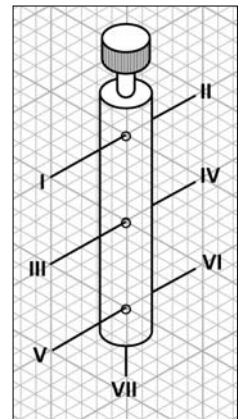
### N weld ends

J with connection fittings (Specify process connections **separately**)

- TK VARIVENT®-flange connection cpl., grooved flange at the housing
- TN VARIVENT®-grooved flange cpl., incl. O-ring, screws and nuts
- TF VARIVENT®-flange
- CO Tri-Clamp
- GK Pipe union DIN 11851, male part at the housing
- KO Liner SD DIN 11851, incl. groove nut
- GO Male part DIN 11851, incl. seal ring G
- ASK Aseptic-flange connection cpl., short
- NFK Aseptic-grooved flange, short
- BFK Aseptic-counter flange, short
- ASN Aseptic-flange connection cpl., normal
- NFN Aseptic-grooved flange, normal
- BFN Aseptic-counter flange, normal

For multiple process connections the connection ports should be specified

[Back to INDEX](#)



— actuator

— lantern

— upper housing

— valve disk

— valve seat

— lower housing

## 17 = Other special optional equipment

(Expand this field with "/" as necessary to include all required options)

- 1 Pressure gauge set
- 2B Positioner feedback, 4 - 20 mA, 3-wire (Valve type A)
- 2F Positioner feedback, 4 - 20 mA, 2-wire
- 2M Analog-module (Valve type A with positioner 827A)
- 2E Positioner feedback, 4 - 20 mA, 2-wire, NAMUR (Valve type A)
- 3 Hart-module (Valve type A with positioner 827A)
- 4 3/2 solenoid valve 24 V DC (Valve type S)
- 5 additional Handwheel
- 7 Ex-design
- 24 Sterile lock (Valve type A)
- 25 Jacketed housing
- 41 Factory certificate acc. to EN10204-2.2
- 42 Material acceptance test certificate acc. to EN10204-3.1B (for housing)
- 50 Stainless steel ID tag
- 52 Self adhesive ID tag
- 55 Cable strip (10 characters)

# Purchase Order for VARIVENT® Modulating Valves

[Back to INDEX](#)

Customer: \_\_\_\_\_ Requested delivery date: \_\_\_\_\_

\_\_\_\_\_ Contact person: \_\_\_\_\_

Order-No.: \_\_\_\_\_

Quantity

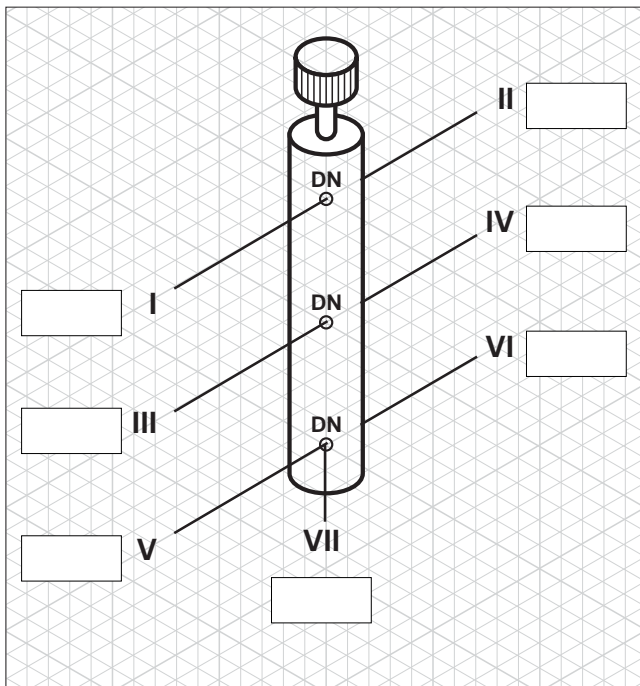
Valve specification

			-	/	-	-		-	/	/	-	/	-			/	
1	2	3	4	5	6	7	8	9	10	11	12	13	14	15	16	17	

			-	/	-	-		-	/	/	-	/	-			/	
1	2	3	4	5	6	7	8	9	10	11	12	13	14	15	16	17	

			-	/	-	-		-	/	/	-	/	-			/	
1	2	3	4	5	6	7	8	9	10	11	12	13	14	15	16	17	

## Socket arrangement and connection variant



## Connection fittings

- TK** VARIVENT® flange connection, groove flange at the housing
- TN** VARIVENT® groove flange incl. O-ring, screws and nuts
- TF** VARIVENT® flange
  
- CO** Tri-clamp
  
- GK** Pipe union, DIN 11851, malepart at the housing
- GO** Malepart SC, DIN 11851, incl. seal ring G
- KO** Liner SD, DIN 11851, incl. groove nut
  
- ASK** Aseptic flange connection DIN 11864-2 (short)
- NFK** Aseptic groove flange, DIN 11864-2 (short)
- BFK** Aseptic collar flange, DIN 11864-2 (short)
  
- AVK** Aseptic union, DIN 11864-1 (short)
- GSK** Aseptic malepart, DIN 11864-1 (short)
- BSK** Aseptic collar socket, DIN 11864-1 (short)
  
- ASN** Aseptic flange connection, DIN 11864-2 (normal)
- NFN** Aseptic groove flange, DIN 11864-2 (normal)
- BFN** Aseptic collar flange, DIN 11864-2 (normal)
  
- AVN** Aseptic union, DIN 11864-1 (normal)
- GSN** Aseptic malepart, DIN 11864-1 (normal)
- BSN** Aseptic collar socket, DIN 11864-1 (normal)